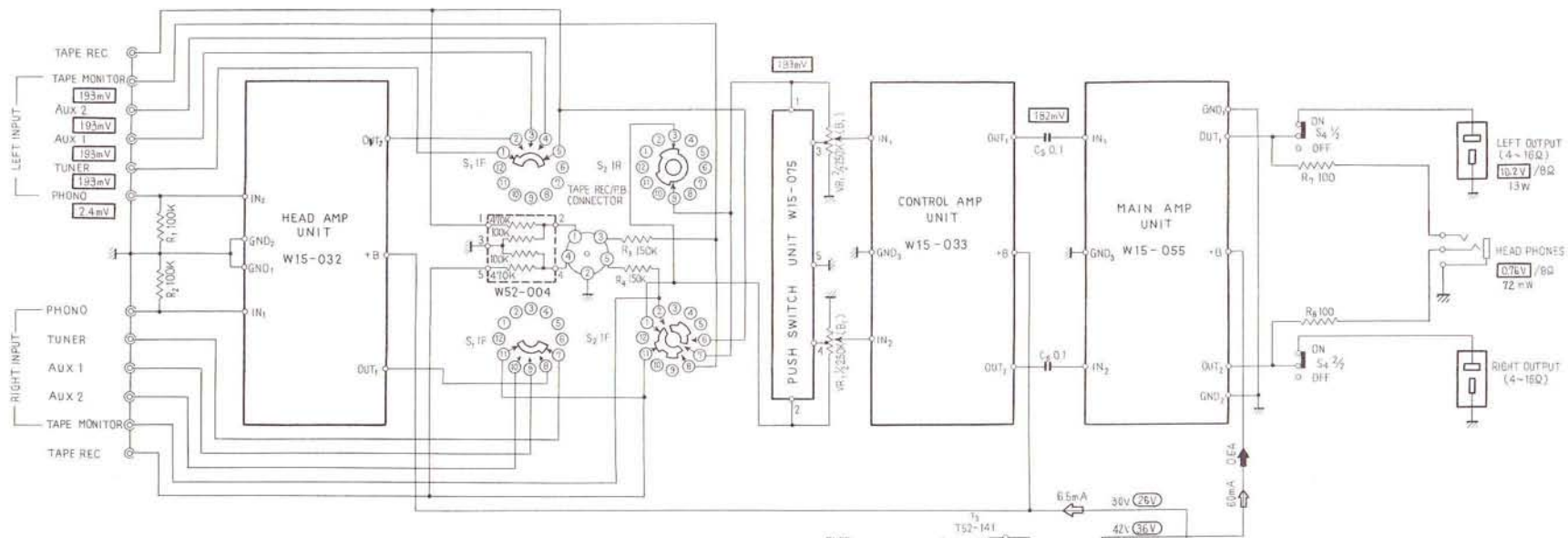


Model SA-500 / F



S₁ - INPUT SELECTOR

- (1) TUNER
- (2) PHONO
- (3) AUX 1
- (4) AUX 2

S₂ - MODE SELECTOR

- | | |
|------------|------------|
| MODE | TAPE MON |
| (1) RIGHT | (4) STEREO |
| (2) LEFT | (5) LEFT |
| (3) STEREO | (6) RIGHT |

RESISTORS

- NON MARK - OHM
- K - KILOHM
- M - MEGOHM

PUSH SWITCH

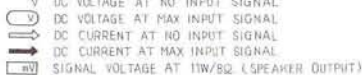
- S₄ SPEAKERS ON ↔ OFF
- S₅ POWER SWITCH ON ↔ OFF
- S₆ LINE VOLTAGE SELECTOR

POTENTIOMETERS

- VR₁ VOLUME CONTROL
- VR₂ TREBLE CONTROL
- VR₃ BASS CONTROL

CAPACITORS

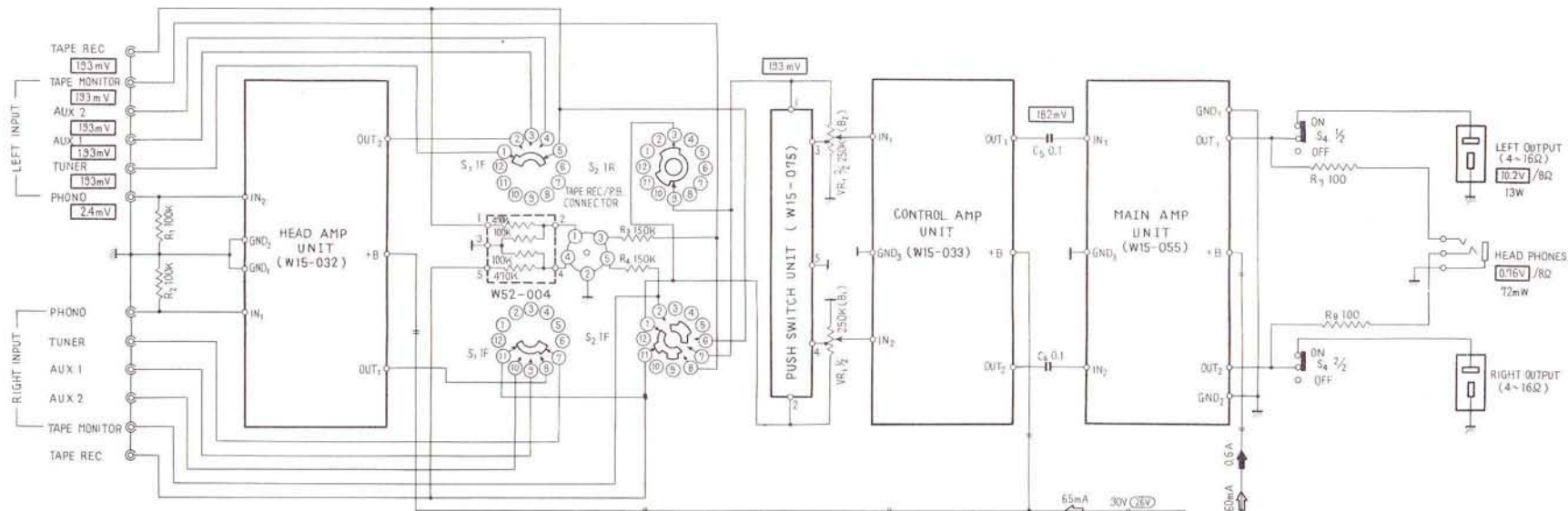
- NON MARK - μF
- P - pμF



ITEM NO.	VACANT
R ₁ - R ₇	R ₅ , R ₆
C ₁ - C ₆	C ₁ - 4

ALL VOLTAGES MEASURED WITH V.T.V.M.

Model SA-500 / KC



- S₁ INPUT SELECTOR
 (1) TUNER
 (2) PHONO
 (3) AUX 1
 (4) AUX 2

- PUSH SWITCH
 S₄ SPEAKERS ON ↔ OFF
 S₅ POWER SWITCH ON ↔ OFF

- S₂ MODE SELECTOR
 MODE TAPE MON
 (1) RIGHT (4) STEREO
 (2) LEFT (5) LEFT
 (3) STEREO (6) RIGHT

- POTENTIOMETER
 VR₁ VOLUME CONTROL

RESISTORS
 NON MARK = OHM
 K = KILOHM
 M = MEGOHM

CAPACITORS
 NON MARK = μF
 P = pPF

- V DC VOLTAGE AT NO INPUT SIGNAL
 DC VOLTAGE AT MAX INPUT SIGNAL
 I DC CURRENT AT NO INPUT SIGNAL
 I DC CURRENT AT MAX INPUT SIGNAL
 V₁ SIGNAL VOLTAGE AT 13W/8Ω (SPEAKER OUTPUT)

ITEM NO.	VACANT
R ₁ ~ R ₄	
C ₁ ~ C ₄	

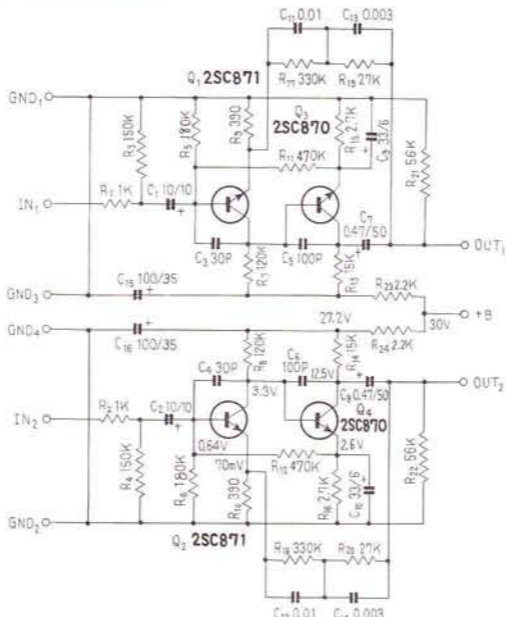
- +—+— TR-32 | CSA
 —+—+— TR-64 | APPROVED WIRE

ALL VOLTAGES MEASURED WITH V.T.V.M.

HEAD AMP UNIT W15-032

HEAD AMP UNIT

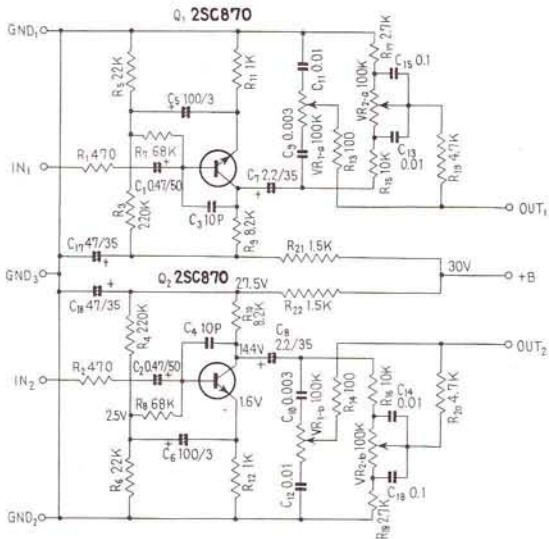
W15-032



CONTROL AMP UNIT W15-033

CONTROL AMP UNIT

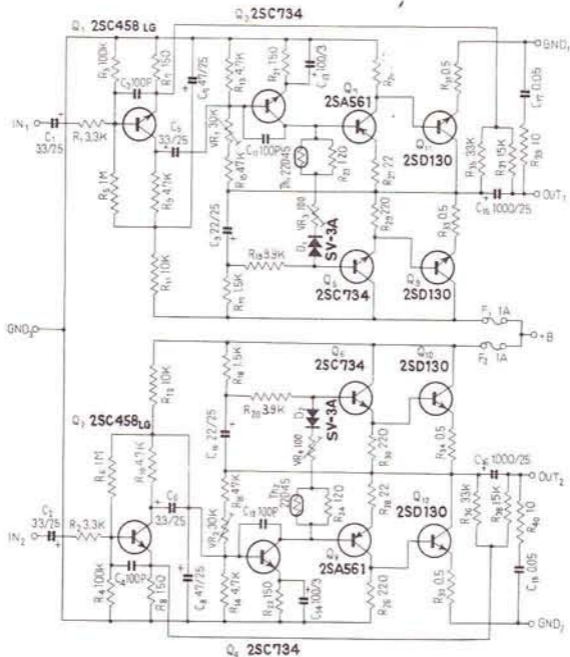
W15-033



MAIN AMP UNIT W15-055

MAIN AMP UNIT

W15-055



PUSH SWITCH UNIT W15-075

PUSH SWITCH UNIT

W15 - 075

